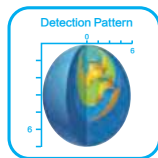
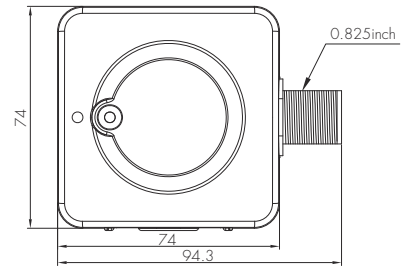
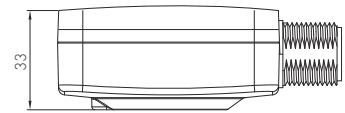
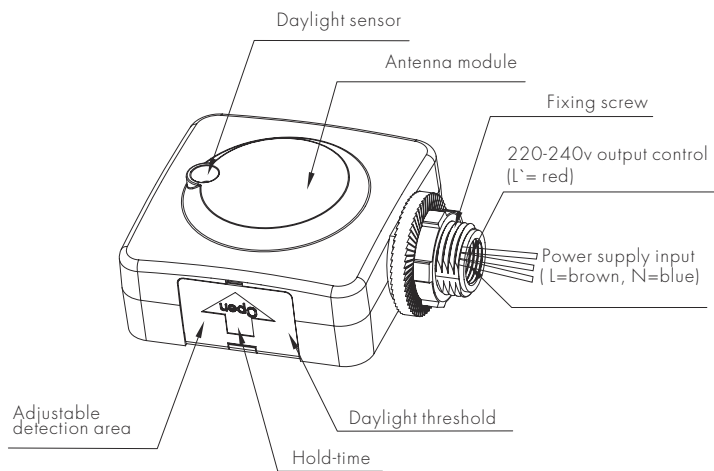
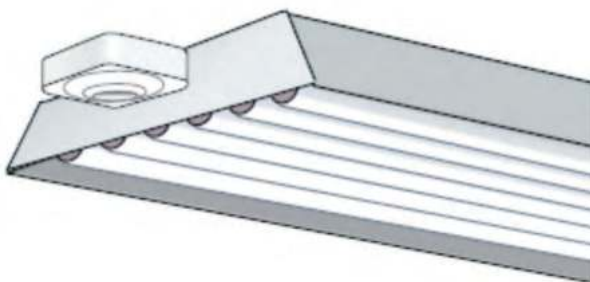


# Attachable Version On/off Control

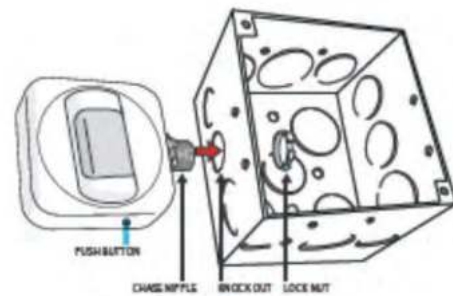
Model: HC 030S



This sensor is designed for installation to the outside of a fixture, where a metallic body or louvre would block and interfere with microwave detection.



Attach to metal fixture



Attach to junction box

An optional external metal conduit is available to be added on the plastic conduit to increase the length, in case the conduit is not long enough to go through the metal wall, where this is a thick recessed area for IP 65 protection.

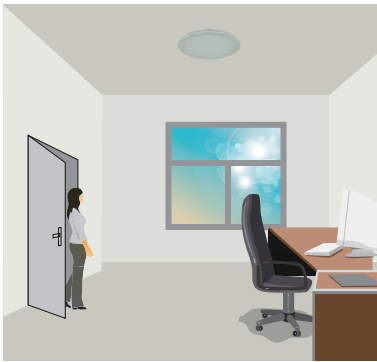
Double insulation cable is also available for easy retrofit.



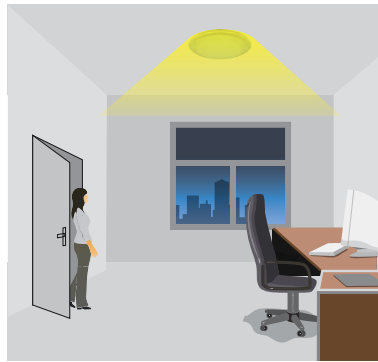
## Functions and Options

### 1 On-off Control

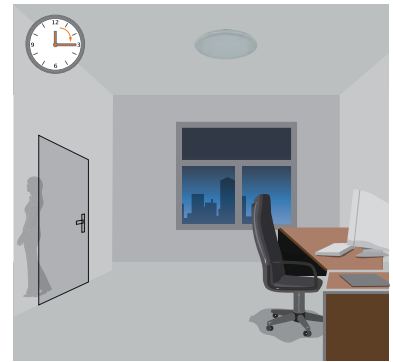
This sensor is a motion switch, which turns on the light on detection of people movement, and turns off after a pre-selected hold-time when there is no people around. A daylight sensor is also built-in to prevent the light switching on when there is sufficient natural light.



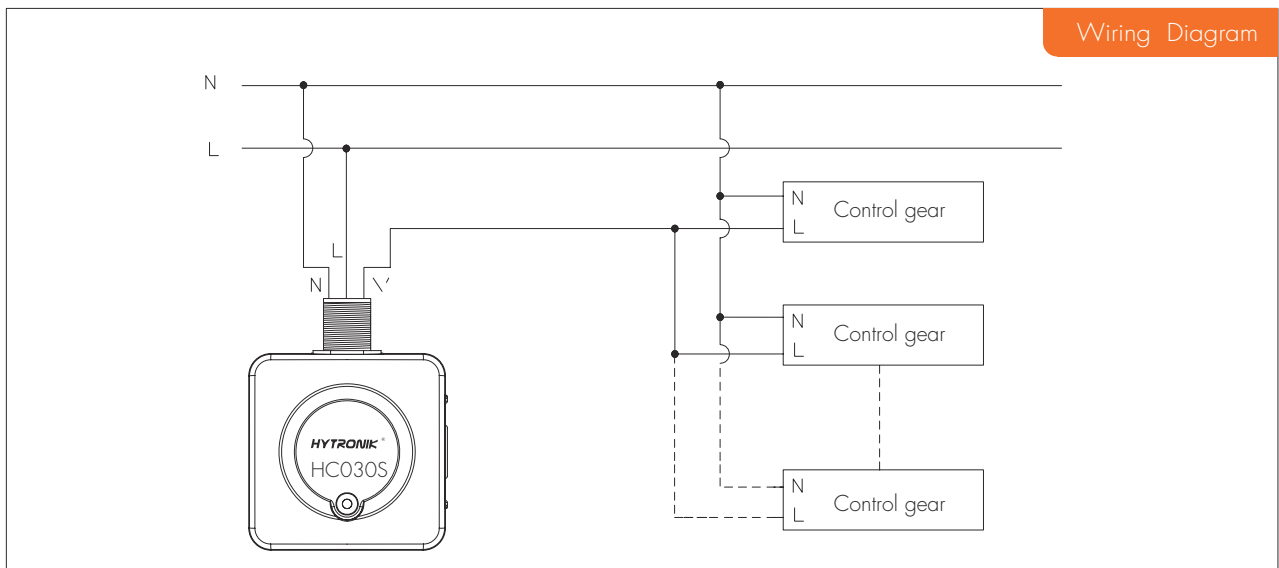
With sufficient natural light, the light does not switch on when presence detected.



With insufficient natural light, the sensor switches on the light automatically when person enters the room.

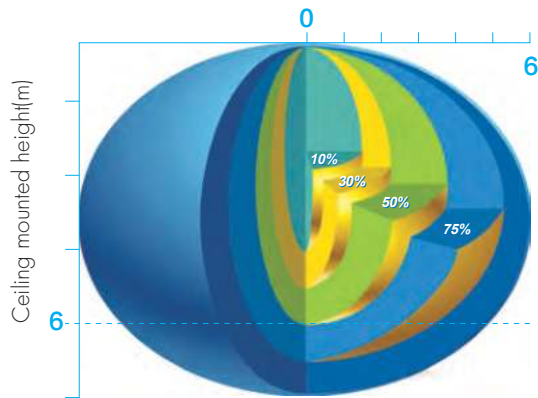


The sensor switches off the light automatically after the hold-time when there is no motion detected.

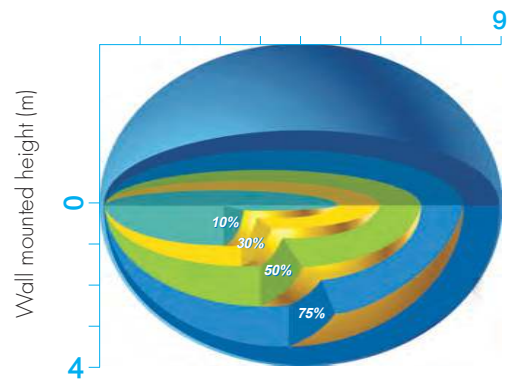


Wiring Diagram

## Detection Pattern



Ceiling mounted detection pattern (m)



Wall mounted detection pattern (m)

## Settings

### 1 Detection area

Detection area can be reduced by selecting the combination on the DIP switches to fit precisely for each specific application.

	1	2	3	
I	●	●	●	100%
II	○	●	●	75%
III	●	○	●	50%
IV	●	●	○	25%
V	○	○	○	10%

- I – 100%
- II – 75%
- III – 50%
- IV – 25%
- V – 10%

### 2 Hold-time

Hold-time means the time period to keep the lamp on 100%, after all motion has ceased (detection area vacated).

	1	2	3	
I	●	●	●	5s
II	○	●	●	30s
III	●	○	●	1min
IV	●	○	○	5min
V	●	●	○	10min
VI	○	○	○	30min

- I – 5s
- II – 30s
- III – 1min
- IV – 5min
- V – 10min
- VI – 30min

### 3 Daylight sensor

The daylight threshold can be set on DIP switches, to fit for particular application.

“Daylight” : The lamp works always, even during daylight.

“Twilight” : The lamp works only in twilight and in darkness.

“Darkness” : The lamp works only in darkness.

	1	2	3	
I	●	●	●	2Lux
II	○	●	●	10Lux
III	●	○	●	30Lux
IV	●	●	○	50Lux
V	○	○	○	Disable

- I – 2 Lux
- II – 10 Lux
- III – 30 Lux
- IV – 50 Lux
- V – Disabled

## Technical Data

Operating voltage	220~240VAC
Switched power	Max. 800W (capacitive)
Stand-by power	0.5W
Detection area	10% / 25% / 50% / 75% / 100%, can be customized
Hold-time	5s / 30s / 1min / 5min / 10min / 30min, can be customized
Daylight threshold	2Lux / 10Lux / 30Lux / 50Lux / Disable
Sensor principle	Microwave motion detector
Microwave frequency	5.8GHz+/-75MHz
Microwave power	<1mW
Detection range	Max. (∅ xH): 12m x 6m
Detection angle	30°~150°
Mounting height	Max. 6m
Operating temperature	-20°C ~ +60°C
IP rating	IP20
Certificate	Semko, CB, EMC, CE, R&TTE, SAA