

# POWER SOURCE



## PLAC-3PAU-C13IEC-RA-1800

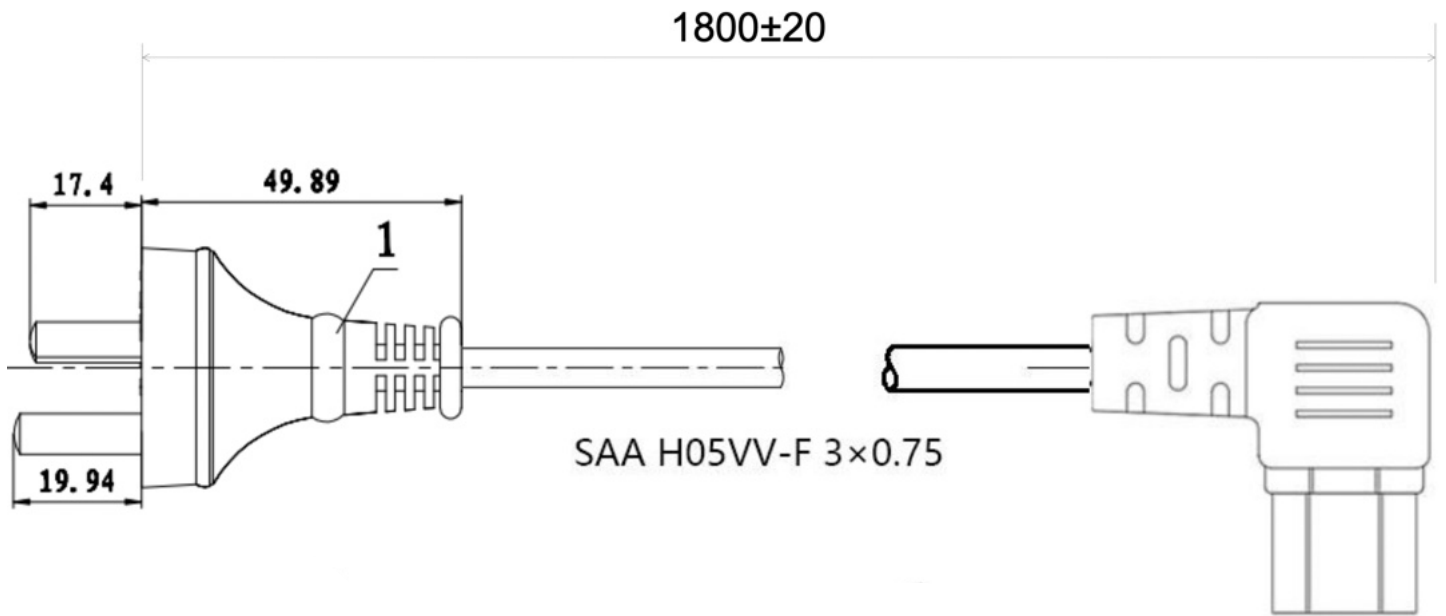
AUS 3 Pin 10A, AC Power Cord to Right Angled IEC-C13 Plug  
RCM Approved for Australian Market



**1 YEAR  
WARRANTY**

Rating	10A	220-250V	Colour	Black
Conductor size	0.75mm <sup>2</sup>		Warranty	1 Year
Outside Diameter	6.55MM±0.2MM		Connector A	AUS Mains plug
Withstand Voltage	2.0KV/1MIN		Connector B	Right Angle IEC-C13
Standard	AS/NZ3112		Length	1.8m

# Design



Connector A

Connector B

