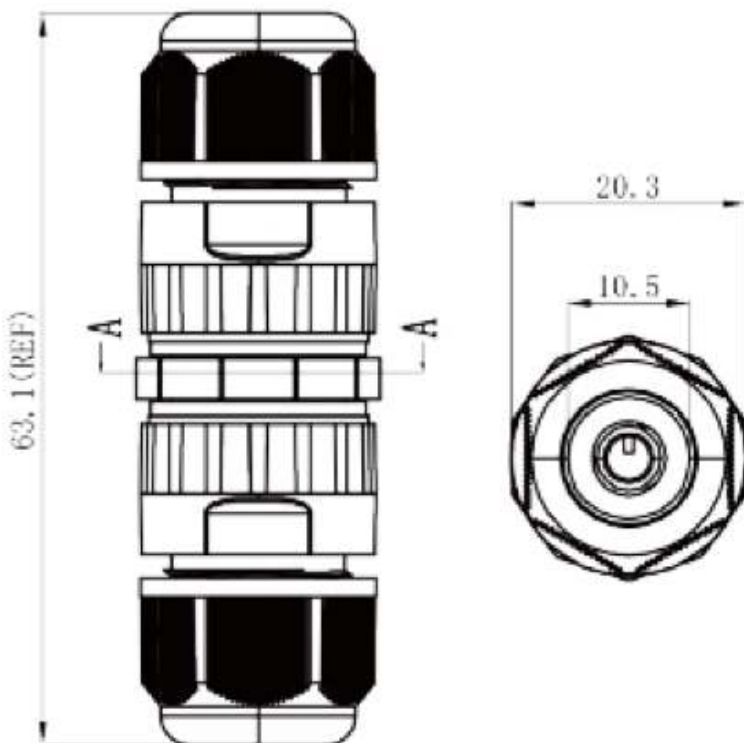


WCC16 CONNECTORS



PART NUMBER
WCC16-2-SC
WCC16-3-SC



Features of the: WCC16

Number of Contacts	2 or 3
Voltage Rating	400V
Current Rating Per Pin	17.5A
Wire Gauge	0.5mm ² - 2-5mm ²
Wire OD	3.5mm - 7mm
Seal O-Ring Type	Silicon
Operating Temp. Range	-40°C ~ +105°C
Contact Pin Material	Nickel-Plated Brass
IP Rating	IP68
Shell Material	Nylon (PA66)