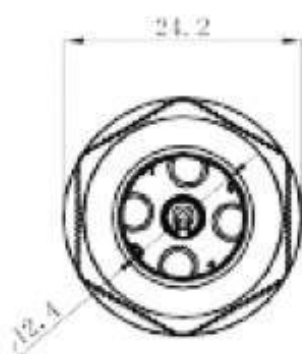
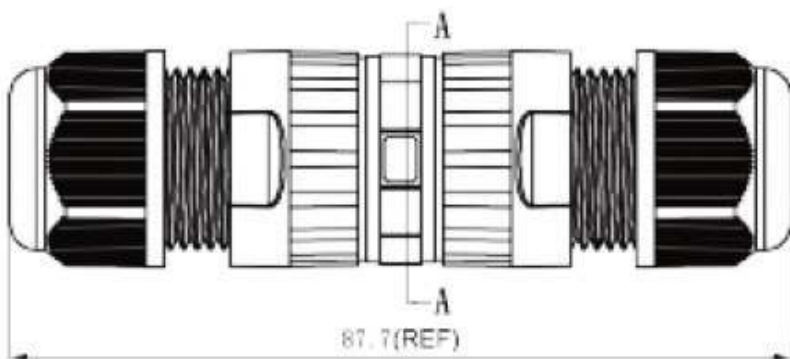


WCC20 CONNECTORS



PART NUMBER:
 WCC20-2-SC
 WCC20-3-SC
 WCC20-4-SC



Features of the: **WCC20**

Number of Contacts	2, 3 or 4
Voltage Rating	400V
Current Rating Per Pin	24A
Wire Gauge	0.5mm ² - 2-5mm ²
Wire OD	5mm - 9mm
Seal O-Ring Type	Silicon
Operating Temp. Range	-40°C ~ +105°C
Contact Pin Material	Nickel-Plated Brass
IP Rating	IP68
Shell Material	Nylon (PA66)