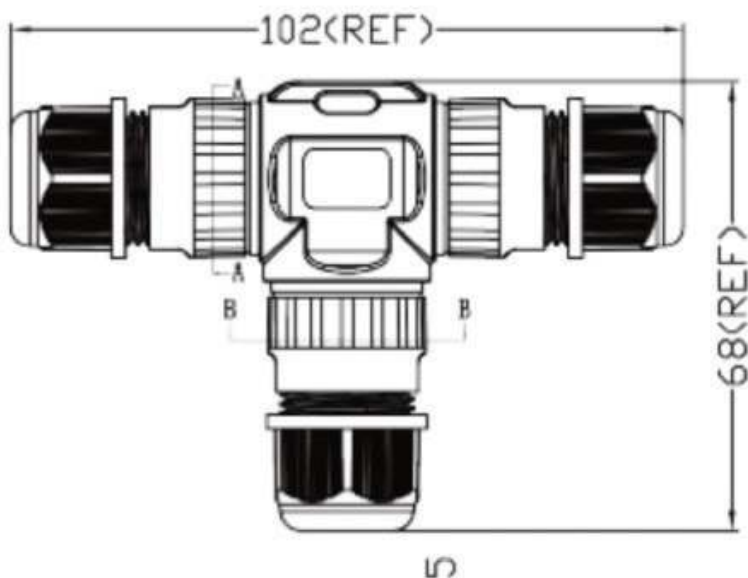


WCCT20 CONNECTORS



Features of the: WCCT20

Number of Contacts	3
Voltage Rating	400V
Current Rating Per Pin	24A
Wire Gauge	0.5mm ² - 2.5mm ²
Wire OD	5mm - 9mm
Seal O-Ring Type	Silicon
Operating Temp. Range	-40°C ~ +105°C
Contact Pin Material	Nickel Plated Brass
IP Rating	IP68
Shell Material	Nylon (PA66)